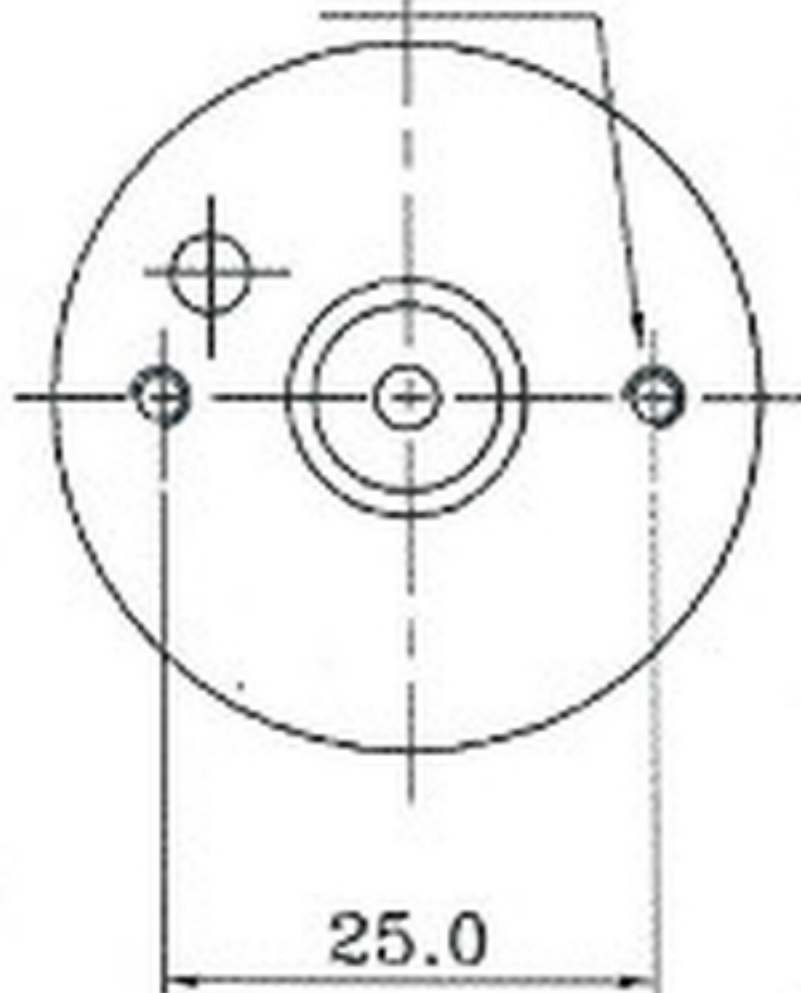


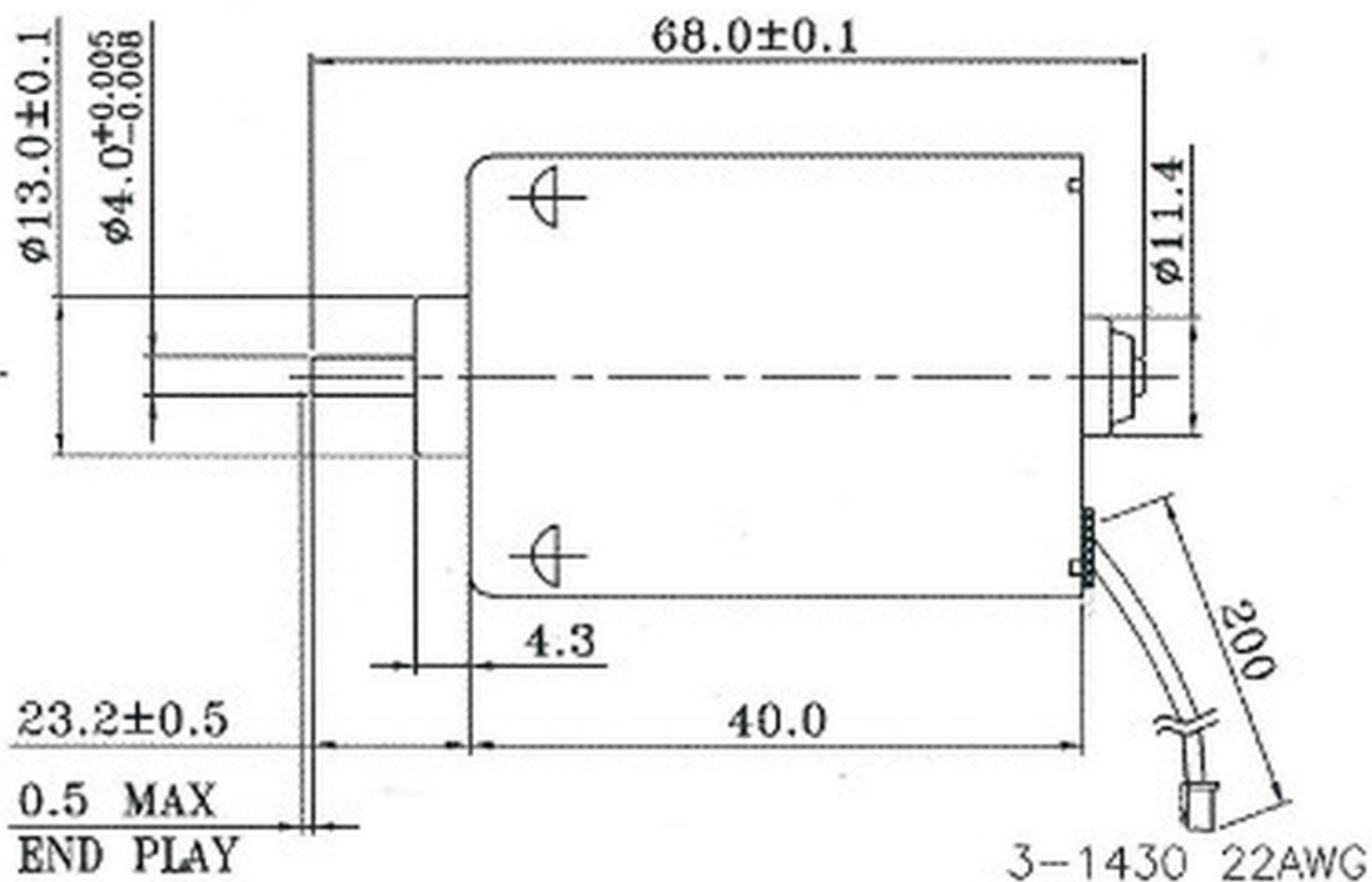
DIRECTION OF ROTATION



2-M3X0.5



25.0



φ36.0MAX

